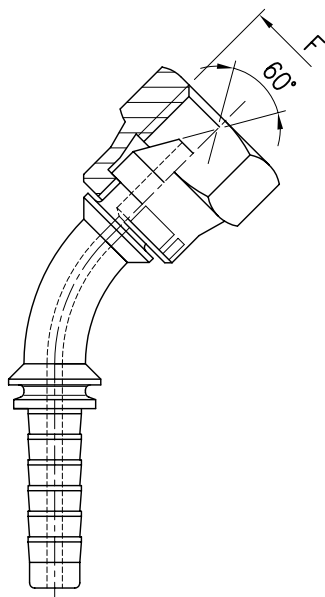


RACCORDI ALTA PRESSIONE A PRESSARE SWAGED HIGH PRESSURE FITTINGS

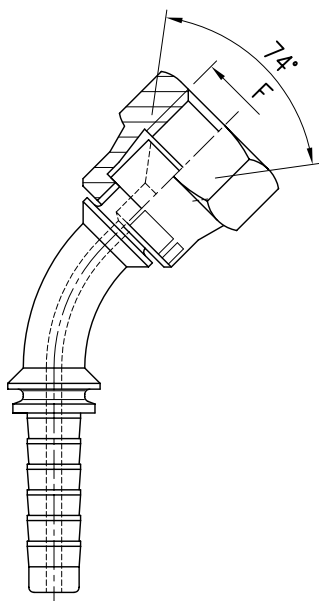
Adatto per nostri tubi/Suitable for our hoses:
Pag. D1 —► D30

CURVA GAS 45°-OGIVA 60°
ELBOW 45° GAS FEMALE-60°



Codice Code	DN ND mm	Tubo Hose inch	Filetto Thread F
RK 0302FG45B *	5	3/16"	1/8"
RK 0304FG45B *	5	3/16"	1/4"
RK 0404FG45B *	6	1/4"	1/4"
RK 0406FG45B *	6	1/4"	3/8"
RK 0506FG45B *	8	5/16"	3/8"
RK 0606FG45B *	10	3/8"	3/8"
RK 0608FG45B *	10	3/8"	1/2"
RK 0808FG45B *	12	1/2"	1/2"
RK 0810FG45B *	12	1/2"	5/8"
RK 1010FG45B *	16	5/8"	5/8"
RK 1012FG45B *	16	5/8"	3/4"
RK 1212FG45B *	20	3/4"	3/4"
RK 1216FG45B *	20	3/4"	1"
RK 1616FG45B *	25	1"	1"
RK 1620FG45B *	25	1"	1 1/4"

CURVA FEMMINA 45° JIC - 74°
ELBOW 45° JIC FEMALE-74°



Codice Code	DN ND mm	Tubo Hose inch	Filetto Thread F
RK 0304FI45B	5	3/16"	7/16"-20
RK 0404FI45B	6	1/4"	7/16"-20
RK 0405FI45B	6	1/4"	1/2"-20
RK 0406FI45B	6	1/4"	9/16"-18
RK 0505FI45B	8	5/16"	1/2"-20
RK 0506FI45B	8	5/16"	9/16"-18
RK 0507FI45B	8	5/16"	5/8"-18
RK 0606FI45B	10	3/8"	9/16"-18
RK 0608FI45B	10	3/8"	3/4"-16
RK 0808FI45B	12	1/2"	3/4"-16
RK 0810FI45B	12	1/2"	7/8"-14
RK 1010FI45B	16	5/8"	7/8"-14
RK 1012FI45B	16	5/8"	1 1/16"-12
RK 1212FI45B	20	3/4"	1 1/16"-12
RK 1214FI45B	20	3/4"	1 3/16"-12
RK 1216FI45B	20	3/4"	1 5/16"-12
RK 1616FI45B	25	1"	1 5/16"-12
RK 1620FI45B	25	1"	1 5/8"-12

* = Su richiesta per raccordo in acciaio inox aggiungere la lettera "X"
* = On request for stainless steel fittings add the letter "X"