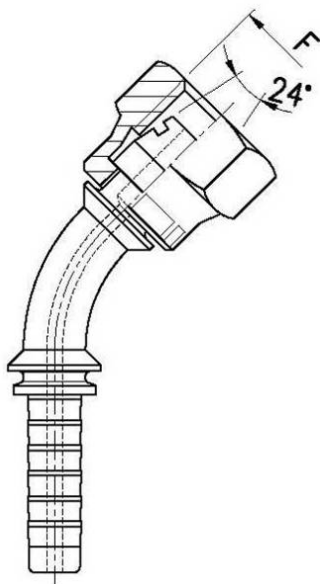


**RACCORDI ALTA PRESSIONE A PRESSARE
SWAGED HIGH PRESSURE FITTINGS**

**CURVA METRICA 45° O-RING 24°
ELBOW 45° METRIC O-RING 24°**

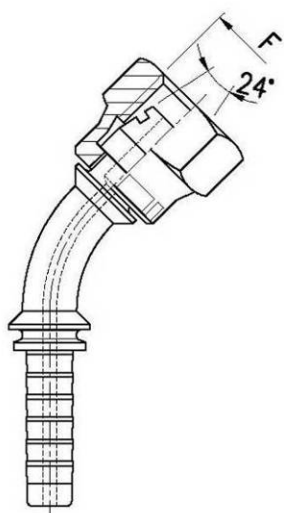


SERIE LEGGERA / LIGHT SERIES

Codice Code	DN Tubo/ND Hose mm	Hose inch	Filetto Thread F
RK03FOS6L45B ^[X]	5	3/16"	M12x1.5
RK03FOS8L45B ^[X]	5	3/16"	M14x1.5
RK04FMO6L45B ^[X]	6	1/4"	M12x1.5
RK04FOS8L45B ^[X]	6	1/4"	M14x1.5
RK04FOS10L45B ^[X]	6	1/4"	M16x1.5
RK04FOS12L45B ^[X]	6	1/4"	M18x1.5
RK05FOS10L45B ^[X]	8	5/16"	M16x1.5
RK05FOS12L45B ^[X]	8	5/16"	M18x1.5
RK06FMO10L45B ^[X]	10	3/8"	M16x1.5
RK06FOS12L45B ^[X]	10	3/8"	M18x1.5
RK06FOS15L45B ^[X]	10	3/8"	M22x1.5
RK08FOS15L45B ^[X]	12	1/2"	M22x1.5
RK08FOS18L45B ^[X]	12	1/2"	M26x1.5
RK10FOS18L45B ^[X]	16	5/8"	M26x1.5
RK10FOS22L45B ^[X]	16	5/8"	M30x2
RK12FMO18L45B ^[X]	20	3/4"	M26x1.5
RK12FOS22L45B ^[X]	20	3/4"	M30x2
RK16FOS28L45B ^[X]	25	1"	M36x2

[X] Su richiesta per raccordo in acciaio inox aggiungere la lettera "X"
On request for stainless steel fittings add the letter "X"

**CURVA METRICA 45° O-RING 24°
ELBOW 45° METRIC O-RING 24°**



SERIE PESANTE / HEAVY SERIES

Codice Code	DN Tubo/ND Hose mm	Hose inch	Filetto Thread F
RK03FOS6S45B ^[X]	5	3/16"	M14x1.5
RK03FOS8S45B ^[X]	5	3/16"	M16x1.5
RK04FMO6S45B ^[X]	6	1/4"	M14x1.5
RK04FOS8S45B ^[X]	6	1/4"	M16x1.5
RK04FOS10S45B ^[X]	6	1/4"	M18x1.5
RK04FOS12S45B ^[X]	6	1/4"	M20x1.5
RK05FOS10S45B ^[X]	8	5/16"	M18x1.5
RK05FOS12S45B ^[X]	8	5/16"	M20x1.5
RK06FMO10S45B ^[X]	10	3/8"	M18x1.5
RK06FOS12S45B ^[X]	10	3/8"	M20x1.5
RK06FOS14S45B ^[X]	10	3/8"	M22x1.5
RK08FOS14S45B ^[X]	12	1/2"	M22x1.5
RK08FOS16S45B ^[X]	12	1/2"	M24x1.5
RK10FOS20S45B ^[X]	16	5/8"	M30x2
RK12FOS20S45B ^[X]	20	3/4"	M30x2
RK12FOS25S45B ^[X]	20	3/4"	M36x2
RK16FOS25S45B ^[X]	25	1"	M36x2
RK16FOS30S45B ^[X]	25	1"	M42x2

[X] Su richiesta per raccordo in acciaio inox aggiungere la lettera "X"
On request for stainless steel fittings add the letter "X"

Adatti per i nostri tubi: D1 → D30

Suitable for our hoses: D1 → D30