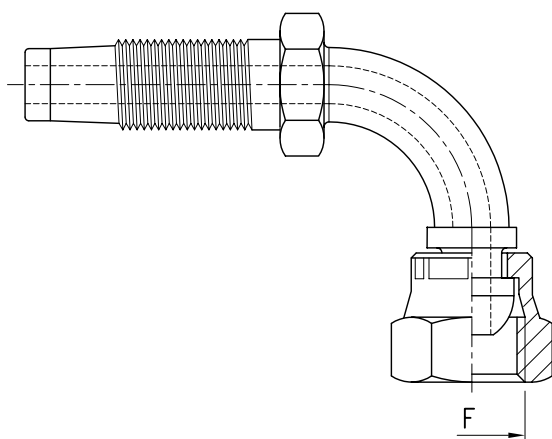


RACCORDI ALTA PRESSIONE RECUPERABILI RE-USABLE HIGH PRESSURE FITTINGS

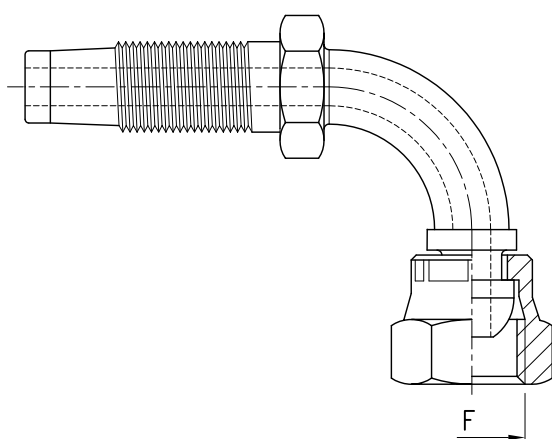
Adatto per nostri tubi/Suitable for our hoses:
Pag. D10 → D24

CURVA GAS 90°-SEDE OGIVA
ELBOW 90° GAS FEMALE-SFERICAL



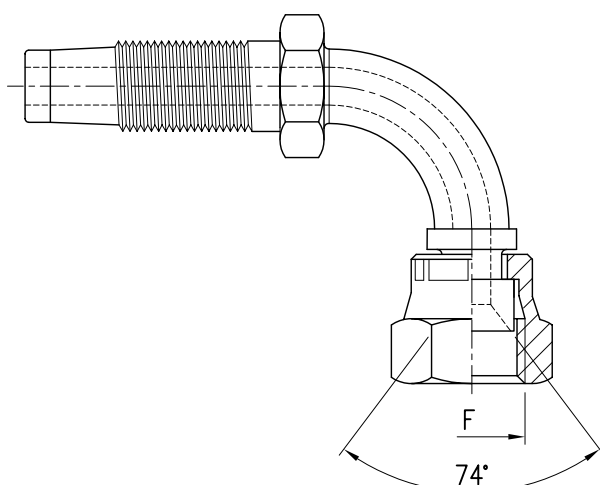
Codice Code	DN ND mm	Tubo Hose inch	Filetto Thread F
RK 05014-05 *	5	3/16"	1/8"
RK 05015-05 *	5	3/16"	1/4"
RK 05020-06 *	6	1/4"	1/4"
RK 05022-06 *	6	1/4"	3/8"
RK 05023-08 *	8	5/16"	1/4"
RK 05025-08 *	8	5/16"	3/8"
RK 05030-10 *	10	3/8"	3/8"
RK 05035-10 *	10	3/8"	1/2"
RK 05040-13 *	13	1/2"	1/2"
RK 05045-13 *	13	1/2"	5/8"

CURVA METRICA 90°-SEDE OGIVA
ELBOW 90° METRIC FEMALE-SFERICAL



Codice Code	DN ND mm	Tubo Hose inch	Filetto Thread F
RK 06014-05	5	3/16"	M10x1
RK 06018-06	6	1/4"	M12x1.5
RK 06020-06	6	1/4"	M14x1.5
RK 06022-06	6	1/4"	M16x1.5
RK 06025-08	8	5/16"	M16x1.5
RK 06029-10	10	3/8"	M16x1.5
RK 06030-10	10	3/8"	M18x1.5
RK 06035-10	10	3/8"	M22x1.5
RK 06040-13	13	1/2"	M22x1.5

CURVA FEMMINA 90° JIC - 74°
ELBOW 90° JIC FEMALE-74°



Codice Code	DN ND mm	Tubo Hose inch	Filetto Thread F
RK 07015-05 *	5	3/16"	7/16 UNF
RK 07015-05 *	5	3/16"	1/2 UNF
RK 07018-06 *	6	1/4"	7/16 UNF
RK 07020-06 *	6	1/4"	1/2 UNF
RK 07022-06 *	6	1/4"	9/16 UNF
RK 07025-08 *	8	5/16"	9/16 UNF
RK 07027-08 *	8	5/16"	5/8 UNF
RK 07028-10 *	10	3/8"	9/16 UNF
RK 07030-10 *	10	3/8"	3/4 UNF
RK 07038-13 *	13	1/2"	3/4 UNF
RK 07040-13 *	13	1/2"	7/8 UNF

* = Su richiesta per raccordo in acciaio inox aggiungere la lettera "X"

* = On request for stainless steel fittings add the letter "X"