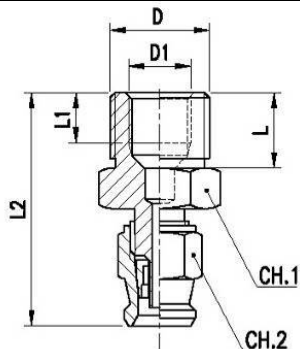


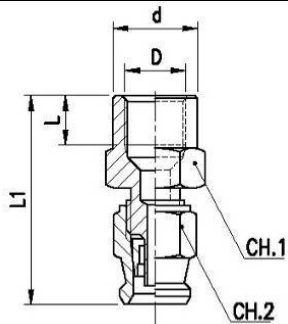
**RACCORDI RECUPERABILI PER TUBO FRENO A NORMA SAE J1401
RE-USABLE FITTINGS FOR BRAKE HOSE ACCORDING TO SAE J1401**

**MASCHIO/FEMMINA FISSO
FIXED MALE/FEMALE**



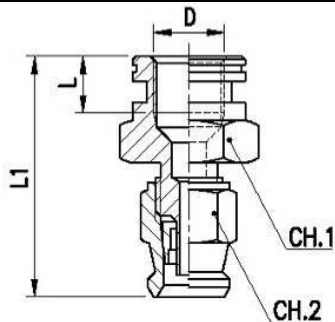
Codice Code	D	D1	L	L1	L2	CH1	CH2	Mat.
FAGR0N	M16x1.5	M10x1.25	12	8	37	17	11	AN
FAGR1N	M16x1.5	M10x1	12	8	37	17	11	AN
FAGR2N	M16x1.5	3/8"-24	12	8	37	17	11	AN

**FEMMINA FISSA
FIXED FEMALE**



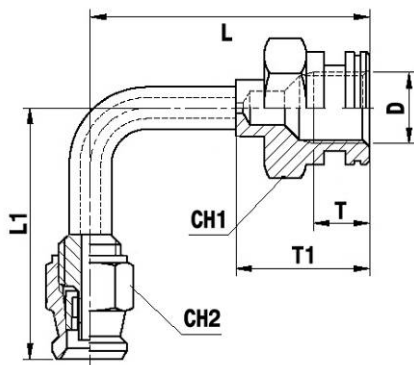
Codice Code	D	d	L	L1	CH1	CH2	Mat.
FACR0N	M10x1.25	12,5	8	32	13	11	AN
FACR1N	M10x1	12,5	8	32	14	11	AN
FACR2N	3/8"-24	12,5	8	32	13	11	AN
FACR21N	M10x1	13,5	8	32	14	11	AN

**FEMMINA FISSA LARGA
LARGE FIXED FEMALE**



Codice Code	D	L	L1	CH1	CH2	Materiale Material
FALR0N	M10x1.25	8	37	17	11	AN
FALR1N	M10x1	8	37	17	11	AN
FALR2N	3/8"-24	8	37	17	11	AN

**FEMMINA FISSA LARGA 90°
LARGE FIXED FEMALE 90°**



Codice Code	D	T	T1	L	L1	CH1	CH2	Mat.
FAL90R0N	M10x1.25							AN
FAL90R1N	M10x1							AN
FAL90R2N	3/8"-24							AN

Adatto per i nostri tubi: E1

Suitable for our hoses: E1