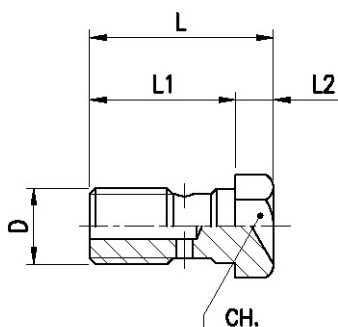


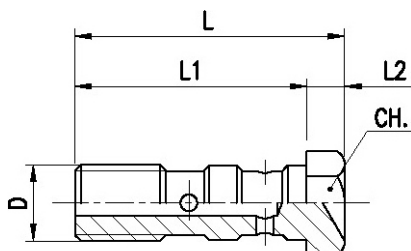
RACCORDI PER TUBO FRENO GOMMA A NORMA DOT-SAE J1401
FITTINGS FOR BRAKE RUBBER HOSE ACCORDING TO DOT-SAE J1401

MASCHIO/FEMMINA FISSO
FIXED MALE/FEMALE



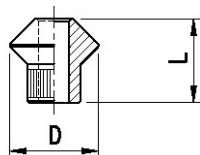
Codice Code	D	L	L1	L2	CH	Mat.
BFSA0	M10x1.25	25	19	6	12	AZ
BFSA1	M10x1	25	19	6	12	AZ
BFSA2	3/8"-24	25	19	6	12	AZ

FEMMINA FISSA CORTA
FIXED SHORT FEMALE



Codice Code	D	D1	L	L1	CH.	Mat.
BFDA0	M10x1.25	35	29	6	12	AZ
BFDA1	M10x1	35	29	6	12	AZ
BFDA2	3/8"-24	35	29	6	12	AZ

FEMMINA FISSA LARGA
FIXED LARGE FEMALE



Codice Code	D	L	Materiale Material
BIC001	8	7,5	BRASS

Adatto per i nostri tubi: TFG 1/8 G1
 Suitable for our hoses: TFG 1/8 G1